

CITY LIVING



2 Chippendale Way Chippendale NSW

1 🛏 1 🚿 1 🚗

Located in the west tower of the Central park development. This stunning one bedroom is located in the midst of Sydney CBD, surrounded with an array of shops, cafe's, restaurants & amenities.

View : <https://www.cityliving.com.au/lease/nsw/sydney-city/chippendale/residential/apartment/7688955>

** Unfurnished**

KEY FEATURES

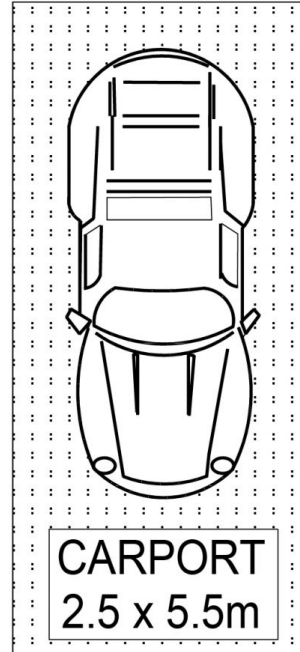
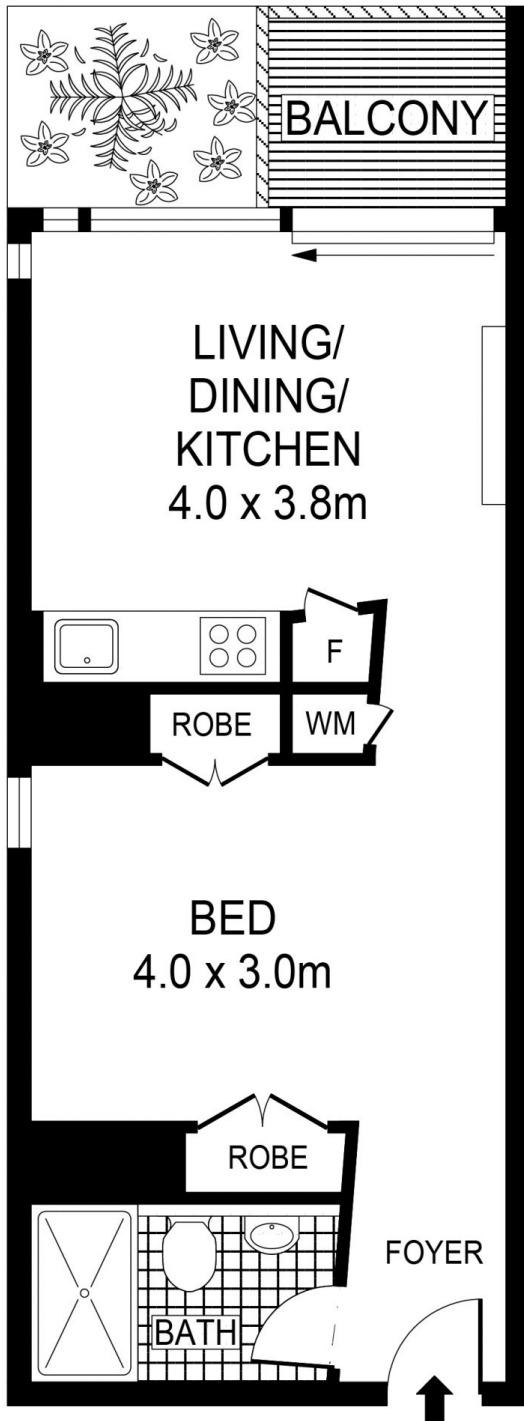
The Apartment - One bedroom apartment with built-in wardrobes with a clever design for a tailor-made urban lifestyle. The apartment features a sleek stone kitchen with high quality Smeg gas appliances, while a combined living/dining area which opens to a sunlit balcony overlooking the complex gardens.



Ryan Steele
02 8248 9101

The Building - Located in the west tower of 'One Central

<https://www.cityliving.com.au>



LEVEL FOURTEEN



PLANS SHOWN ONLY INDICATIVE OF LAYOUT. DIMENSIONS ARE APPROXIMATE.
 Ref. No: 96422



1402/2 CHIPPENDALE WAY

CHIPPENDALE